

Technical data sheet

Product features



Cooking range solid top 4 zones

Model	SAP Code	00013595
--------------	-----------------	----------



- Device type: Electric unit
- Power consumption of the zone 1 [kW]: 2,5
- Power consumption of the zone 2 [kW]: 2,5
- Power consumption of the zone 3 [kW]: 2,5
- Power consumption of the zone 4 [kW]: 2,5

SAP Code	00013595	Number of zones	4
Net Width [mm]	800	Power consumption of the zone 1 [kW]	2,5
Net Depth [mm]	600	Power consumption of the zone 2 [kW]	2,5
Net Height [mm]	240	Power consumption of the zone 3 [kW]	2,5
Net Weight [kg]	71.00	Power consumption of the zone 4 [kW]	2,5
Power electric [kW]	10.000	Solid top dimensions [mm x mm]	700 x 500
Loading	400 V / 3N - 50 Hz		

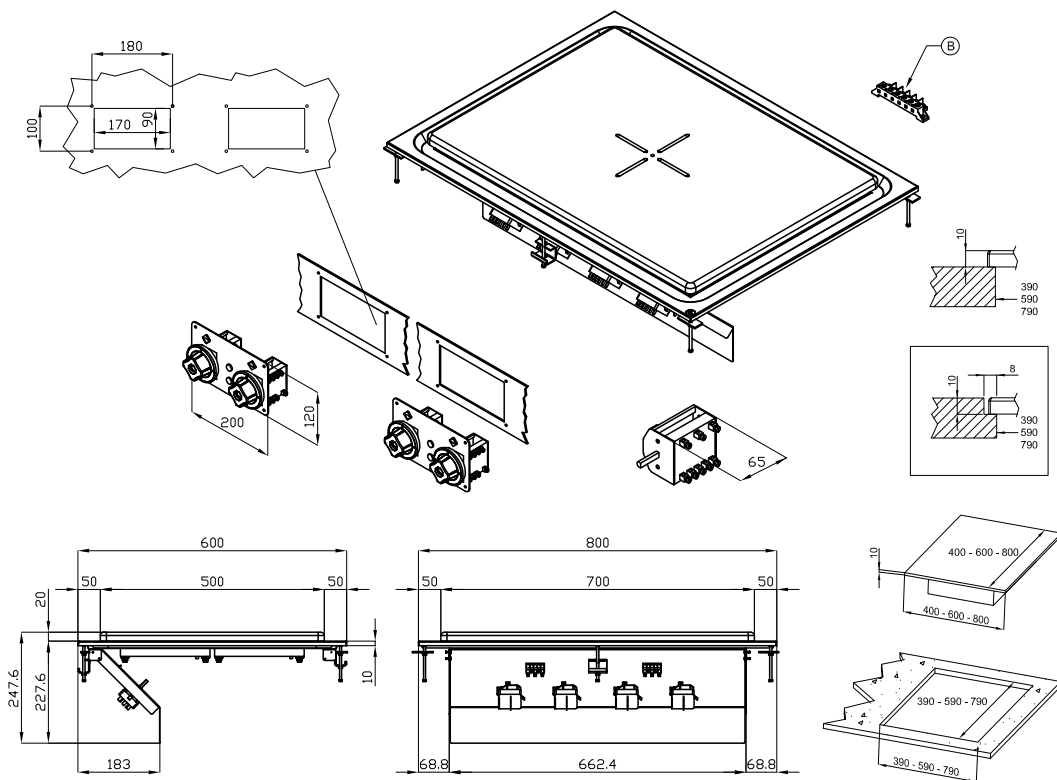
Technical data sheet

Technical drawing



Cooking range solid top 4 zones

Model	SAP Code	00013595
--------------	-----------------	----------



A	Data plate		B	Electrical connection	
---	------------	--	---	-----------------------	--

Technical data sheet

Technical parameters



Cooking range solid top 4 zones

Model

SAP Code

00013595

1. SAP Code:

00013595

2. Net Width [mm]:

800

3. Net Depth [mm]:

600

4. Net Height [mm]:

240

5. Net Weight [kg]:

71.00

6. Gross Width [mm]:

1080

7. Gross depth [mm]:

630

8. Gross Height [mm]:

470

9. Gross Weight [kg]:

80.00

10. Device type:

Electric unit

11. Construction type of device:

Drop-in

12. Power electric [kW]:

10.000

13. Loading:

400 V / 3N - 50 Hz

14. Worktop Thickness [mm]:

20.00

15. Number of zones:

4

16. Power consumption of the zone 1 [kW]:

2,5

17. Power consumption of the zone 2 [kW]:

2,5

18. Power consumption of the zone 3 [kW]:

2,5

19. Power consumption of the zone 4 [kW]:

2,5

20. Maximum device temperature [°C]:

450

21. Safety element:

thermostatic protection against overheating

22. Safety thermostat:

Yes

23. Number of burners/hot plates:

4

24. Type of gas cooking zones:

Thales

25. Type of electric cooking zones:

Squared

26. Solid top thickness [mm]:

20

27. Solid top dimensions [mm x mm]:

700 x 500

28. Solid top material:

chrome-molybdenum